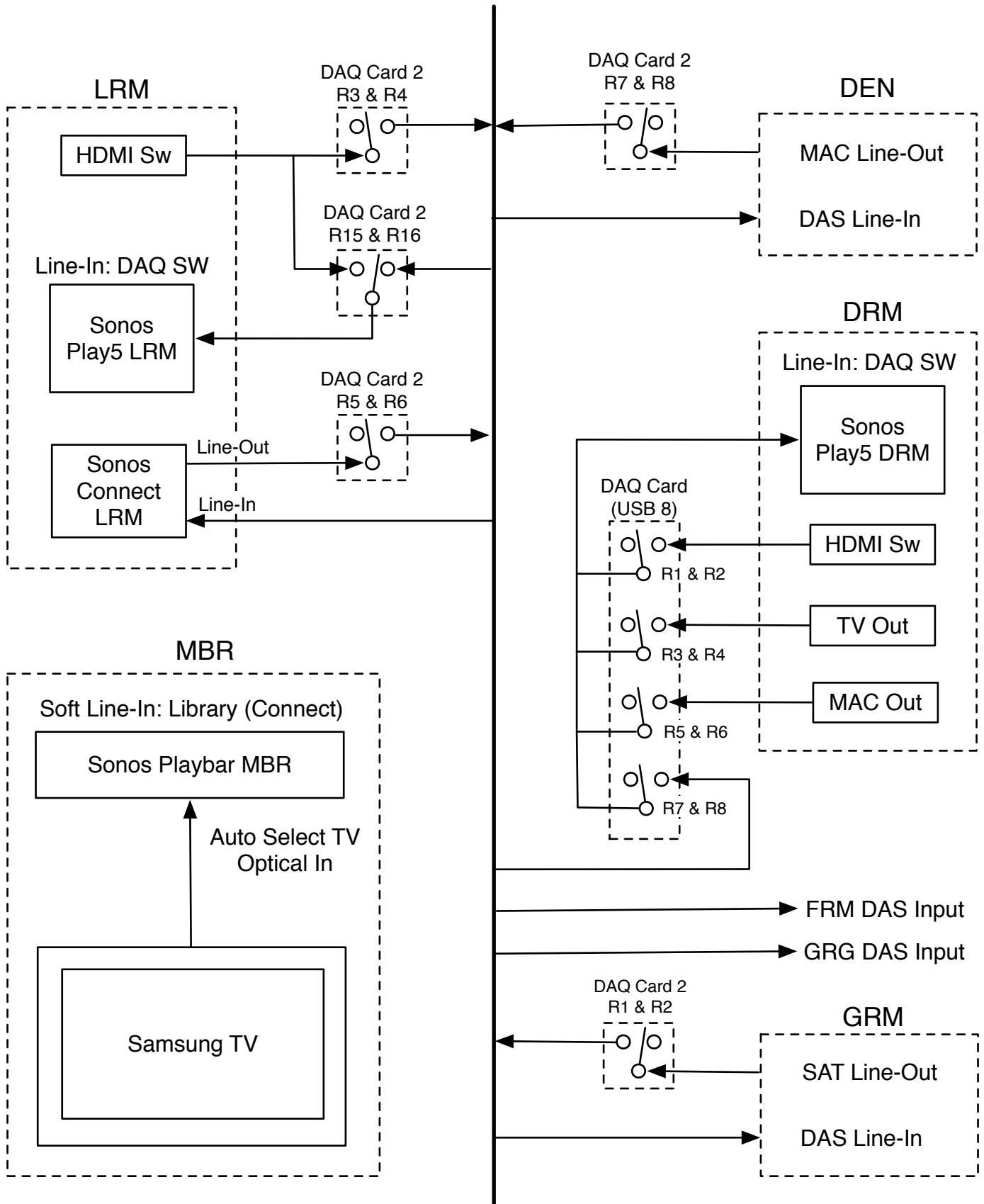


# Distributed Audio System (DAS) BUS



Relays represents a paired set for Left and Right speaker (+) switching, (-) wire is common